



MARTIN METALS

Kereskedelmi Kft

Hungary

Legal address: H-8000 Székesfehérvár, Nagyszombati út 43.
Head office (postal adr): 8104 Várpalota, Fehérvári út 26.



Product sheet

Description of goods: Alloyed Al ingots

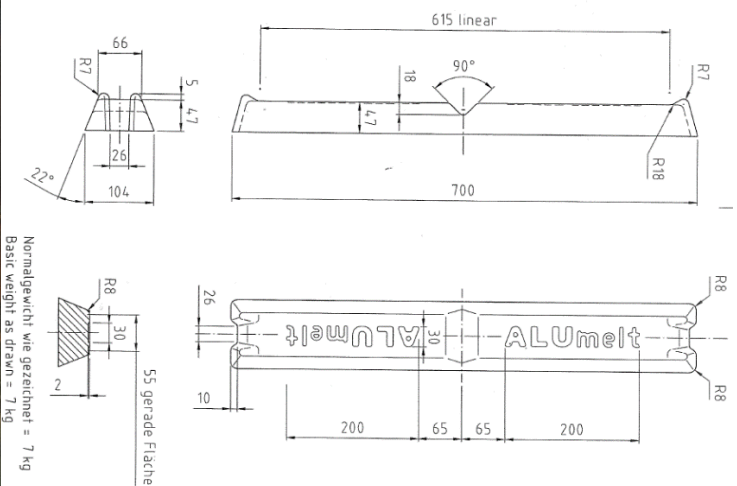
Alloys: EN AB-46000 [(AlSi9Cu3(Fe))]

Approximate Equivalents: DIN 226

Forms: Standard ingots (approx. 7 kg/piece)

Dimension: 700 x 104 x 35-50 mm (length x width x height)

Packaging: max. 959 kg (137 ingots each stack)
ingots are packed in bundles for fork-lift handling.



Chemical composition (in weight %)

	Si	Fe	Cu	Mn	Mg	Cr	Ni	Zn	Pb	Sn	Ti	Others		Al	
												Each	Total		
Min	8,0		2,0		0,15										Remainder
Max	11,0	1,1	4,0	0,55	0,55	0,15	0,55	1,2	0,35	0,15	0,25	0,05	0,25		

Mechanical properties

Tensile strength (Rm) [MPa]: min. 240 **Yield strength (Rp0.2) [MPa]:** min. 140

Elongation A50 [%]: min: 1 **Brinell hardness (HBS):** min. 80

General description of properties:

Very good castable universal alloy, especially suitable for the casting Slight tendency to sinking and forming internal porosity. Good machinability.